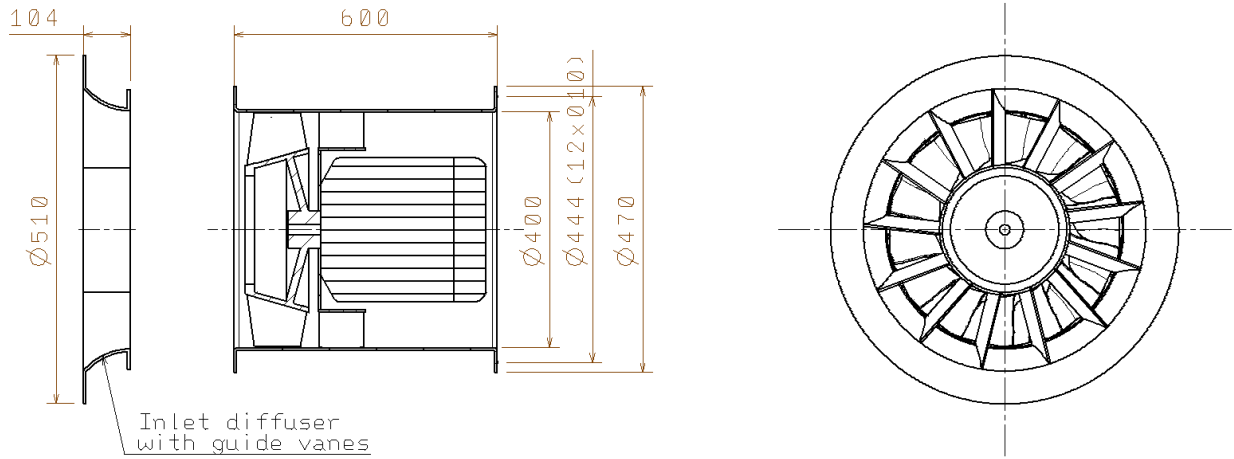
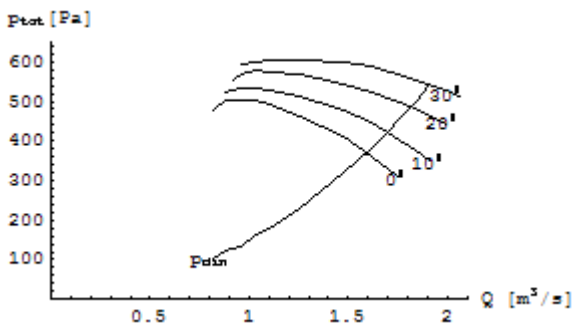


# DIAGONAL VENTILATOR DV70N<sup>0</sup>4



**DV70N<sup>0</sup>4**  
**P=0.75 kW at 0°**  
**n=1400 min<sup>-1</sup>**



**DV70N<sup>0</sup>4**  
**P=5.5 kW at 0°**  
**n=2890 min<sup>-1</sup>**

